

MARK 20H PARTS LIST

INDEX:

Page

Carburetor and Choke Assembly	3
Carburetor and Fuel Pump Conversion Kit	11
Clamp and Swivel Bracket Assembly	8
Cowling and Front Cover	2
Crankcase Assembly	6
Crankcase Bottom Assembly	6
Crankshaft and Center Main Bearing Assembly	7
Cylinder Block Assembly	5
Drive Shaft Housing Assembly	8
Drive Shaft Housing Conversion Kit	10
Fuel Tank Assembly (See Accessory Section "D")	
Gear Conversion Kit	12
Gear Housing Assembly	9
Magneto Assembly	4
Piston and Connecting Rod Assembly	7
Spark Control Linkage	5
Top Cowl and Starter Assembly	1

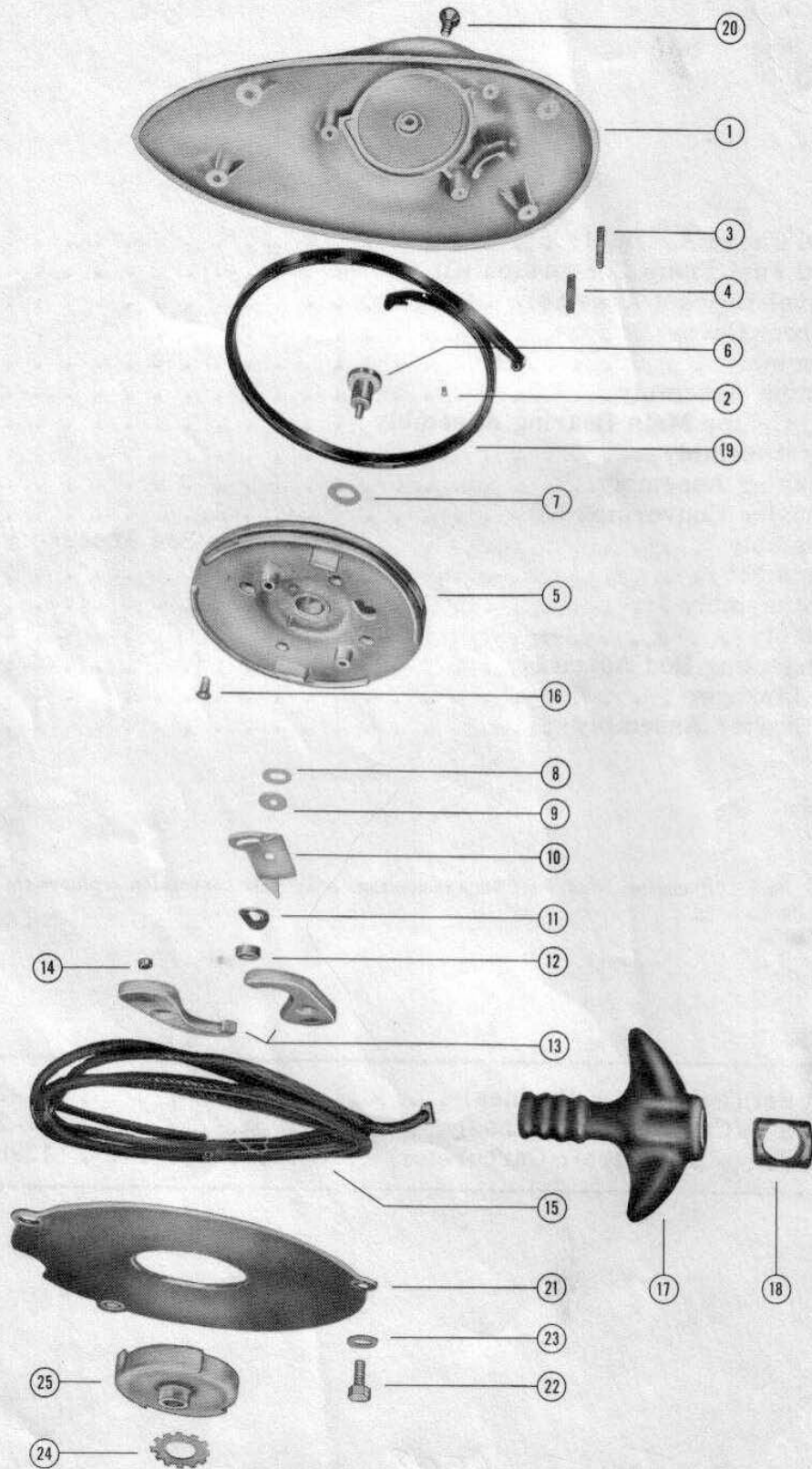
Note: For the Mark 20H engines that have been converted, order your conversion replacement parts from pages 10, 11 or 12.

Gasket Set (Production Engines)	27-21669
Gasket Set (Conversion Engines)	27-29830
Repair Parts Kit (Carter Carburetor)	1398-466

TOP COWL AND STARTER ASSEMBLY

PART NO.	REF. NO.	DESCRIPTION	MK20H
105-89A1	1	Top Cowl Assembly	1
17-20760	2	Pin, groove - sheave shaft retaining	1
16-20761	3	Stud, top cowl mounting (starboard side)	2
16-20075	4	Stud, top cowl mounting (port side)	2
12-20583	-	Washer, top cowl mounting stud (thin)	2
20762A2	5	Starter Sheave Assembly	1
17-20564	-	Pin, spring anchor	1
17-20764	-	Pin, retainer	1
20765	6	Shaft, sheave	1
13-20766	7	Washer, wave - sheave shaft	1
15-20767	8	Shim, sheave shaft	1
12-20768	9	Washer, starter pawl retainer	1
20769	10	Retainer, starter pawl	1
13-20770	11	Washer, wave - pawl retainer tension	1
20771	12	Collar, sheave shaft	1
20772A1	13	Starter Pawl Assembly	2
20773	14	Magnet, starter pawl	2
50-22791A1	15	Starter Cable Assembly	1
10-20774	16	Screw, sheave reinforcing	4
20662	17	Handle, starter cable	1
20172	18	End Cap, cable handle	1
24-20775	19	Spring, starter rewind	1
10-20778	20	Screw, sheave shaft	1
20777	21	Plate, friction	1
10-20776	22	Screw, friction plate to top cowl	3
13-26992	23	Lockwasher, friction plate screw	3
13-20897	24	Lockwasher, ratchet	1
20332	25	Ratchet, starter	1

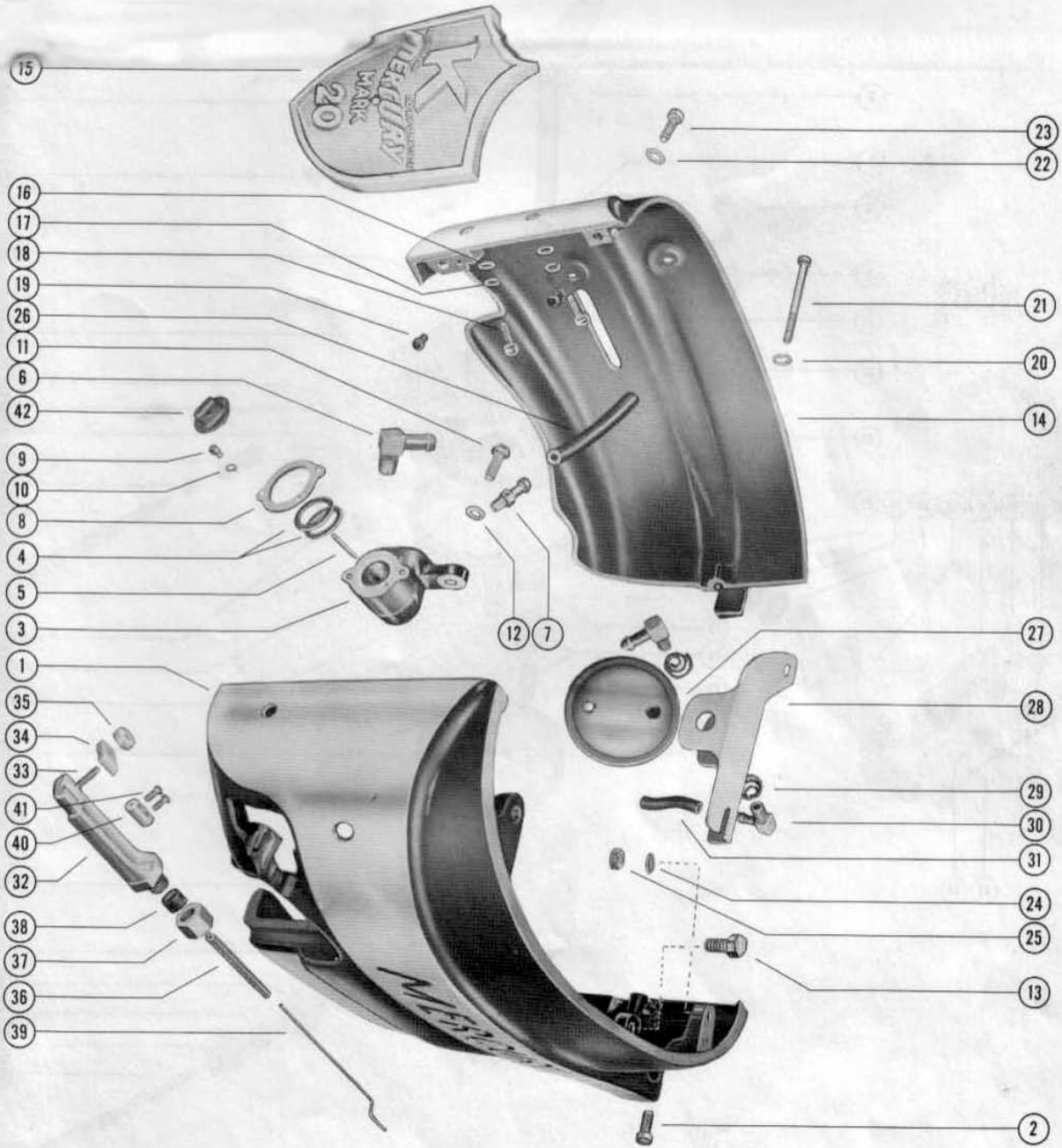
TOP COWL AND STARTER ASSEMBLY



COWLING AND FRONT COVER

PART NO.	REF. NO.	DESCRIPTION	MK20H
106-81A1	1	Cowl Assembly, port	1
20779	2	Sleeve, cowl retaining (threaded)	1
20780A1	3	Base Connector Assembly	1
25-20679	4	"O" Ring, connector assembly	2
17-20375	5	Pin, groove - connector locating	1
22-20781	6	Elbow, air line to connector assembly	1
22-20380	7	Connector, fuel line to connector assembly	1
20376	8	Retainer, connector	1
10-20377	9	Screw, retainer to connector assembly	2
13-20378	10	Lockwasher, retainer screw	2
10-28782	11	Screw, connector assembly to port cowl	2
13-26993	12	Lockwasher, connector assembly screw	2
10-20784	13	Screw, port cowl mounting	3
104-82	14	Cowl, starboard	1
20671	15	Shield, front cover <i>(not as shown)</i>	1
12-20719	16	Washer, shield screw	2
13-26996	17	Lockwasher, shield screw	2
10-20720	18	Screw, shield to starboard cowl	2
20721	19	Bumper, rubber - shield	2
12-20722	20	Washer, handle clamping screw	1
10-20724	21	Screw, handle clamping	1
12-20533	22	Washer, cowl screw	2
10-20723	23	Screw, starboard cowl mounting	2
12-20028	24	Washer, top cowl to port cowl stud	2
11-20361	25	Nut, top cowl to port cowl stud	2
32-20576	26	Fuel Line, connector assembly to filter	1
20785A1	--	Fuel Filter & Bracket Assembly	1
20786	27	Filter, fuel	1
20785	28	Bracket, fuel filter	1
24-20787	29	Spring, filter connector	2
22-20781	30	Elbow, fuel line to filter	2
32-20690	31	Fuel Line, filter to carburetor	1
21084	32	Guide, cable connector	1
10-21335	33	Stud, cable connector guide	1
54-21086	34	Clamp, cable connector stud	1
11-20190	35	Nut, cable connector stud	1
21081	36	Casing, cable connector wire	1
21088	37	Cap, cable connector guide	1
23-21082	38	Bushing, cable connector cap	1
21080	39	Wire, carburetor to connector	1
21079	40	Block, cable connector wire	1
10-20845	41	Screw, connector block	2
20483	42	Plug, connector assembly	1

COWLING AND FRONT COVER



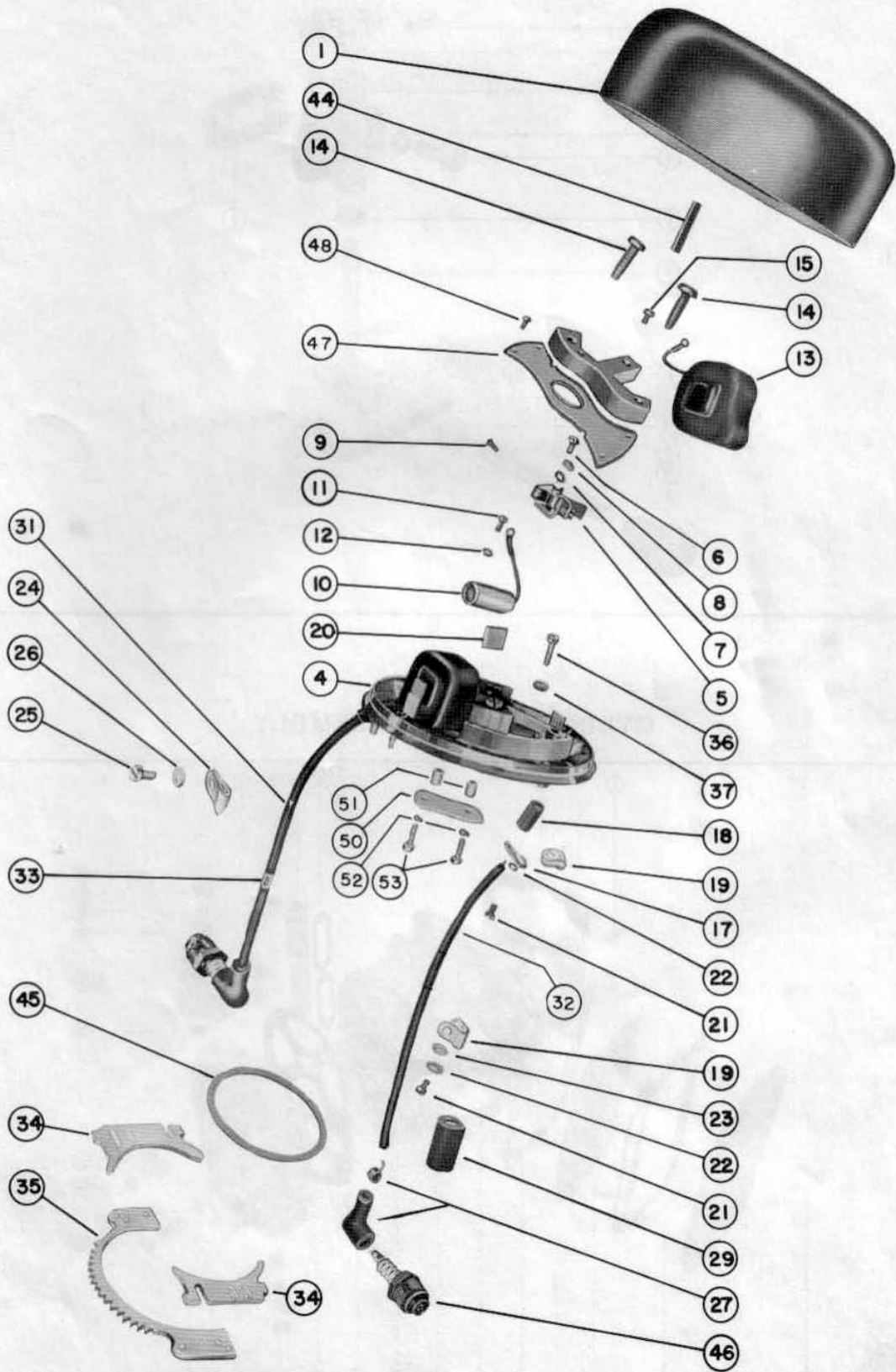
CARBURETOR AND CHOKE ASSEMBLY

PART NO.	REF. NO.	DESCRIPTION	MK20H
1301-79	1	Carburetor Assembly (Carter N-2150S)	1
24-21123	2	Spring, throttle shaft return	1
398-158	3	Shaft Assembly, throttle and lever	1
10-20845	4	Screw, connector	1
1398-157	5	Shutter, throttle	1
1398-172	6	Screw, throttle shutter	2
1398-171	7	Screw, idle adjustment	1
12-21126	8	Washer, idle adjustment screw	1
24-21122	9	Spring, idle adjustment screw	1
1398-159	10	Shutter, choke	1
1398-172	11	Screw, choke shutter	2
1398-168	12	Gasket, bowl ring	1
1398-163	13	Gasket, needle & seat	1
1398-170	14	Inlet Needle & Seat (matched)	1
24-21124	15	Spring, float & lever assembly	1
1398-1173	16	Pin, float lever	1
1398-1172	17	Float & Lever Assembly	1
1398-167	18	Cover, float bowl	1
1398-162A1	19	Nut, float bowl cover	1
1398-165	20	Gasket, main adjustment screw gland	2
1398-278	21	Gland, main adjustment screw	1
1398-164	22	Gasket, packing nut	1
1398-183	--	Packing, main adjustment screw	1
11-21759	23	Nut, main adjustment screw	1
1398-279	24	Screw, main adjustment	1
1398-161	25	Shaft Assembly, choke & lever	1
1398-180	26	Ball, choke shaft & body (lead shot)	3
24-21121	27	Spring, choke shaft	1
19-21120	28	Welch Plug, idle passage	1
19-21119	29	Welch Plug, idle port	1
1398-160	30	Nozzle, fuel discharge	1
27-20478	31	Gasket, carburetor to crankcase	1
11-29250	32	Nut, carburetor mounting stud	2
22-20781	33	Fitting, fuel line connector	1
13-26996	34	Lockwasher, choke lever screw	1
12-20286	35	Washer, choke lever screw	1
20620	36	Lever, choke	1
24-20621	37	Spring, screw tension	1
10-20987	38	Screw, choke lever - tension spring	1
13-21067	39	Washer, spring tension screw	1
10-20986	40	Screw, spring tension	1
20988	41	Lockwire, spring tension screws	1
24-21760	42	Spring, throttle return	1
54-21331	43	Clip, throttle return spring	1
1398-466	--	Repair Parts Kit	1

MAGNETO ASSEMBLY

PART NO.	REF. NO.	DESCRIPTION	MK20H
301-64	-	Magneto Assembly, Complete	1
398-156	1	Flywheel	1
398-175A1	-	Stator Assembly, Complete	1
398-175	4	Stator and Core	1
398-174	5	Breaker Point Assembly	2
10-21133	6	Screw, breaker connection	2
13-21134	7	Lockwasher, fixed contact screw	2
12-21135	8	Washer, fixed contact screw	2
10-23976	9	Screw, breaker connection	2
398-693	10	Condenser	2
10-21136	11	Screw, condenser	2
13-21134	12	Lockwasher, condenser screw	2
398-173	13	Coil, ignition	2
13-21144	--	Lockwasher, core fastening screw	4
10-21132	14	Screw, core fastening	4
10-21130	15	Screw, ground terminal	2
398-190	47	Cover, breaker compartment sealing	1
10-21143	48	Screw, sealing cover fastening	4
398-179	17	Clamp, lead wire tube	2
32-21137	18	Tube, lead wire	2
398-182	19	Clamp, lead wire plastic (#8 screw)	2
398-192	20	Wick, felt	1
398-193	--	Plug, felt	1
10-21139	21	Screw, lead wire clamp (#8 long)	1
10-21138	--	Screw, lead wire clamp (#8 short)	1
13-21134	22	Lockwasher, lead wire clamp (#8 screw)	2
12-21135	23	Washer, fixed contact screw	1
398-189	24	Clamp, magneto ground harness	1
10-21140	25	Screw, harness clamp	1
12-20028	26	Washer, throttle mounting	1
20119	27	Protector, spark plug	2
23-20622	29	Bushing, rubber (lead wire)	1
398-178	31	Wire, lead - top	1
398-177	32	Wire, lead - bottom	1
20623	33	Marker, "Top" - lead wire	1
15-21390	--	Shim, magneto clamping spring (.031)	2
24-20569	34	Spring, magneto hold down	2
43-20611	35	Gear, sector - driven	1
10-25157	36	Screw, sector gear and spring fastening	4
13-26996	37	Lockwasher, sector gear screw	4
28-20898	44	Key, crankshaft	1
15-20627	--	Shim, clamp spring to crankcase (.015)	1
15-20626	45	Shim, magneto stator plate to crankcase (.015)	1
33-20982	46	Spark Plug	2
20294	50	Plate, detent	1
23-20460	51	Spacer, detent plate	2
13-26991	52	Lockwasher, detent plate screw	2
10-20479	53	Screw, detent plate	2

MAGNETO ASSEMBLY



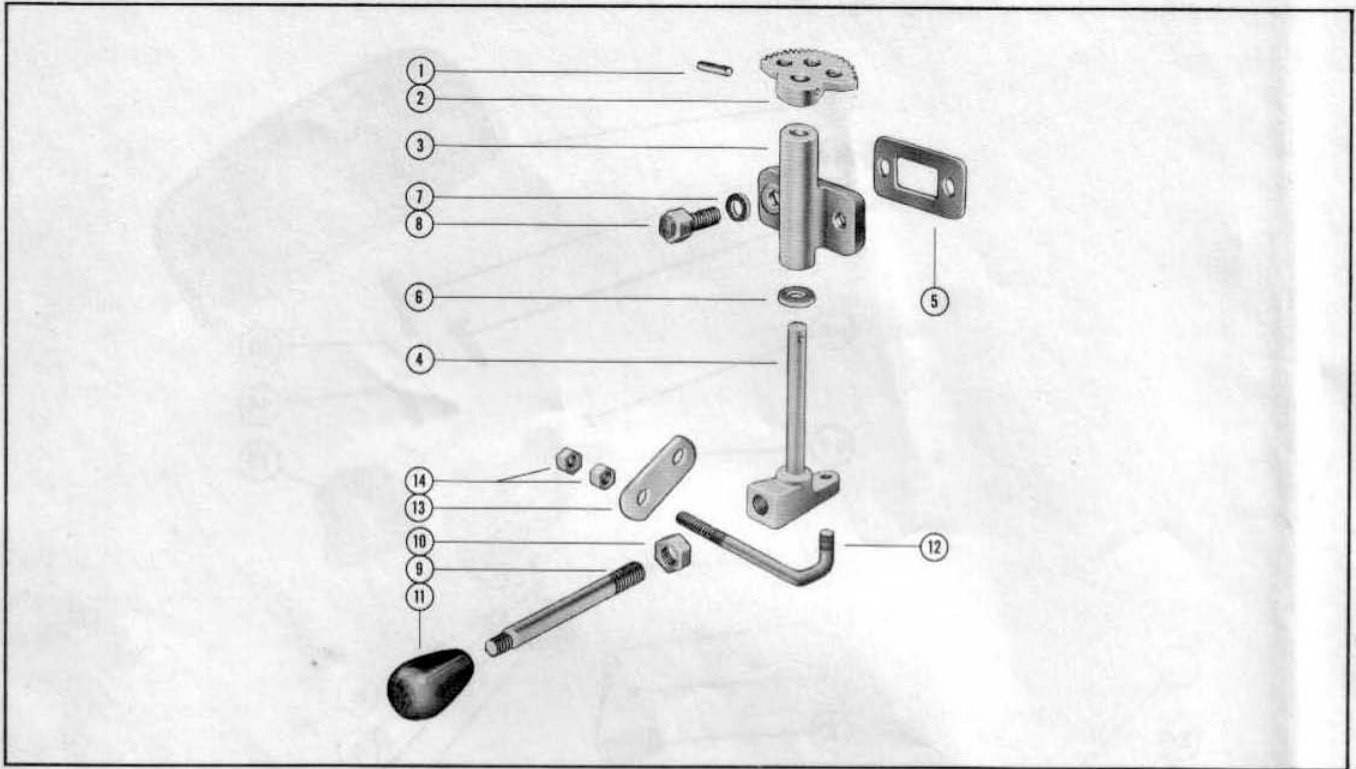
SPARK CONTROL LINKAGE

PART NO.	REF. NO.	DESCRIPTION	MK20H
22689A2	-	Vertical Shaft Bracket Assembly, Complete	1
17-20000	1	Pin, groove - sector gear	1
43-20471	2	Gear, sector - drive	1
22689A1	3	Vertical Shaft Bracket Assembly	1
23-22571	-	Bushing, vertical shaft bracket	2
20022A1	4	Vertical Shaft Assembly	1
15-20475	5	Shim, vertical bracket to crankcase (.005-10)	AR
15-20473	6	Shim, vertical shaft to bracket (.010-20)	AR
12-20028	7	Washer, vertical bracket mounting screw	2
10-28635	8	Screw, vertical shaft bracket mounting	2
21028	9	Lever, magneto control	1
11-21668	10	Nut, magneto control lever	1
20980	11	Knob, magneto control lever	1
21027	12	Rod, magneto stop	1
21029	13	Bracket, stop rod to crankcase	1
11-20088	14	Nut, stop rod adjusting	2

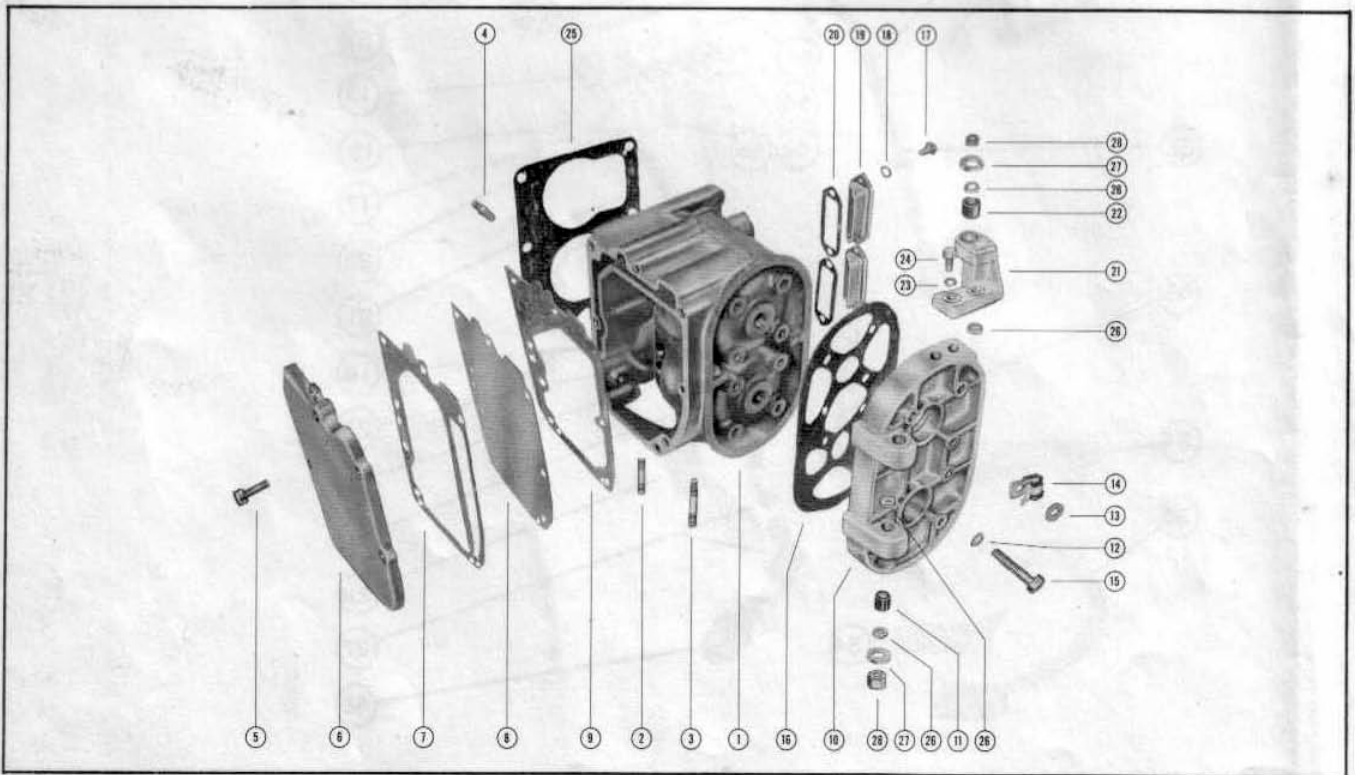
CYLINDER BLOCK ASSEMBLY

PART NO.	REF. NO.	DESCRIPTION	MK20H
803-41A1	1	Cylinder Block Assembly	1
16-20956	2	Stud, drive shaft housing to powerhead	4
16-21015	3	Stud, cylinder block to crankcase	1
16-20525	4	Stud, cylinder block to crankcase	5
10-20540	5	Screw, manifold cover	7
20539	6	Cover, exhaust manifold	1
27-20538	7	Gasket, manifold cover to baffle plate	1
20537	8	Plate, manifold baffle	1
27-20536	9	Gasket, cylinder block to manifold plate	1
1002-63A1	10	Cylinder Block Cover Assembly	1
23-26348	11	Bushing, cowl mounting	2
12-20028	12	Washer, cylinder block cover screw (7/16)	7
12-20533	13	Washer, cylinder block cover screw (9/16)	1
54-20534	14	Clip, high tension lead	1
10-20532	15	Screw, cover to cylinder block	8
27-20531	16	Gasket, cylinder block cover	1
10-20031	17	Screw, transfer port cover	4
12-20028	18	Washer, transfer port cover screw	4
20029	19	Cover, transfer port	2
27-20030	20	Gasket, transfer port cover	2
20543A1	21	Rear Bracket Assembly, top cowl mounting	1
23-26348	22	Bushing, rear bracket	1
13-26992	23	Lockwasher, rear bracket mounting screw	2
10-20542	24	Screw, rear bracket mounting	2
27-21173	25	Gasket, cylinder block to crankcase	1
12-20028	26	Washer, top cowl mounting stud (small)	6
12-20346	27	Washer, top cowl mounting stud (large)	3
11-20361	28	Nut, top cowl mounting stud	3

SPARK CONTROL LINKAGE



CYLINDER BLOCK ASSEMBLY



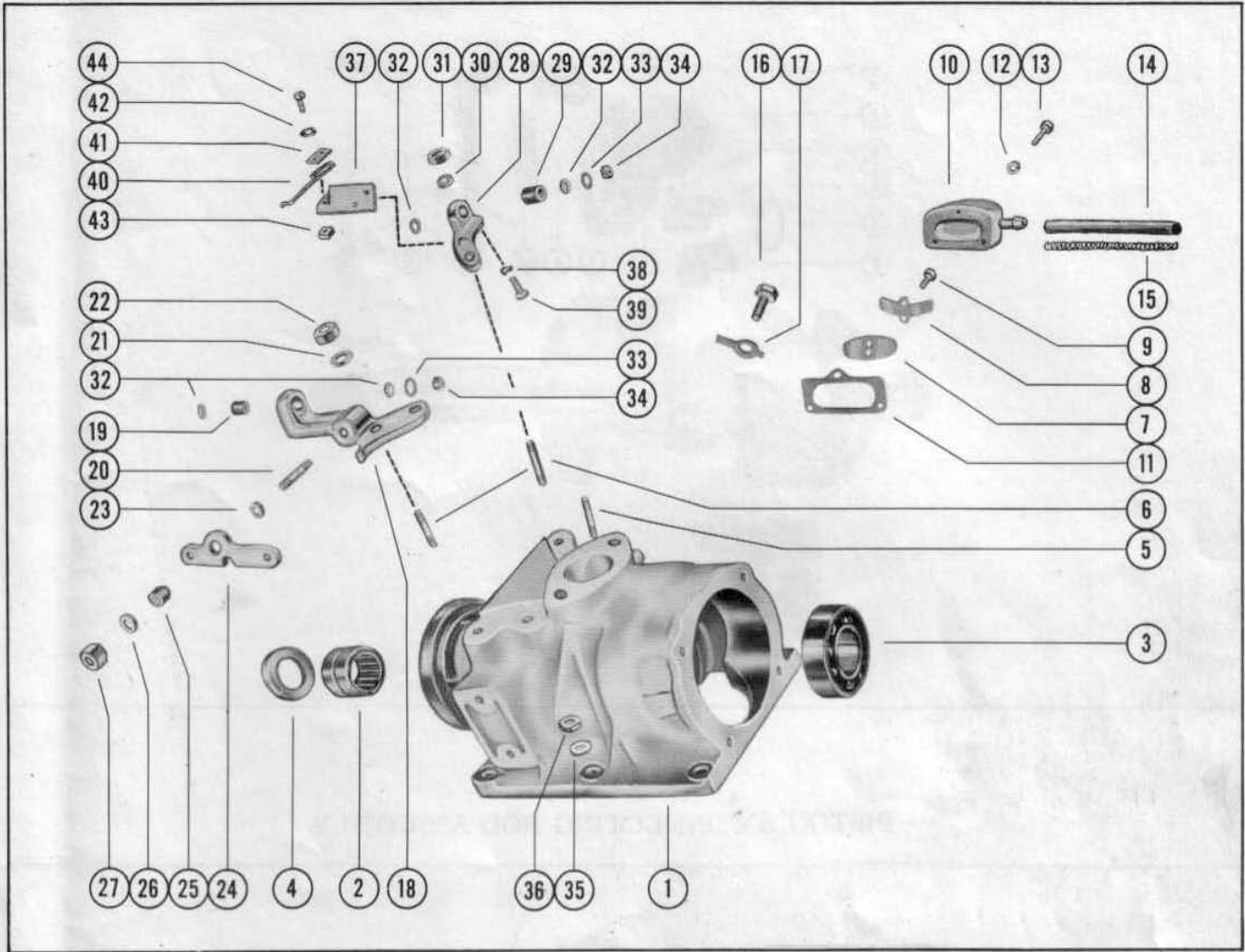
CRANKCASE ASSEMBLY

PART NO.	REF. NO.	DESCRIPTION	MK20H
901-23A1	1	Crankcase Assembly	1
31-20594	2	Bearing, roller	1
30-20464	3	Bearing, ball	1
26-20530	4	Oil Seal	1
16-20462	5	Stud, crankcase to carburetor	2
16-20469	6	Stud, crankcase to mounting bracket	4
34-20035	7	Reed, fuel tank pressure valve	1
34-20036	8	Reed Stop, pressure valve reed	1
10-20037	9	Screw, reed fastening	2
20038	10	Cover, pressure valve	1
27-20039	11	Gasket, cover to crankcase	1
13-26996	12	Lockwasher, cover screw	3
10-20041	13	Screw, cover	3
32-20476	14	Air Line	1
24-20477	15	Spring, air line	1
10-20090	16	Screw, main bearing locking	1
14-20091	17	Tab Washer, main bearing locking screw	1
20549A1	18	Front Starboard Bracket Assembly	1
23-26348	19	Bushing, cowl mounting bracket	1
16-20550	20	Stud, cowl mounting bracket	1
12-20028	21	Washer, bracket mounting stud	2
11-20184	22	Nut, bracket mounting stud	2
12-20551	23	Washer, rubber - plate to starboard bracket	1
20570	24	Plate, cowl mounting	1
23-20571	25	Bushing, cowl mounting plate	1
12-20572	26	Washer, cowl mounting plate stud	1
11-20509	27	Nut, cowl mounting plate stud	1
20455A2	28	Front Port Bracket Assembly	1
23-26348	29	Bushing, cowl mounting bracket	1
12-20028	30	Washer, bracket mounting stud	2
11-20184	31	Nut, bracket mounting stud	2
12-20028	32	Washer, cowl mounting screw (small)	4
12-20346	33	Washer, cowl mounting screw (large)	2
11-20361	34	Nut, cowl mounting screw	2
12-20546	35	Washer, crankcase to cylinder block stud	7
11-20083	36	Nut, crankcase to cylinder block stud	6
20453	37	Plate, spring clamp	1
13-26996	38	Lockwasher, clamp plate screw	2
10-20665	39	Screw, clamp plate	2
24-20899	40	Spring, detent	1
54-20454	41	Clamp, detent spring	1
13-26996	42	Lockwasher, detent spring screw	2
11-20652	43	Nut, detent spring screw	2
10-20512	44	Screw, detent spring	2

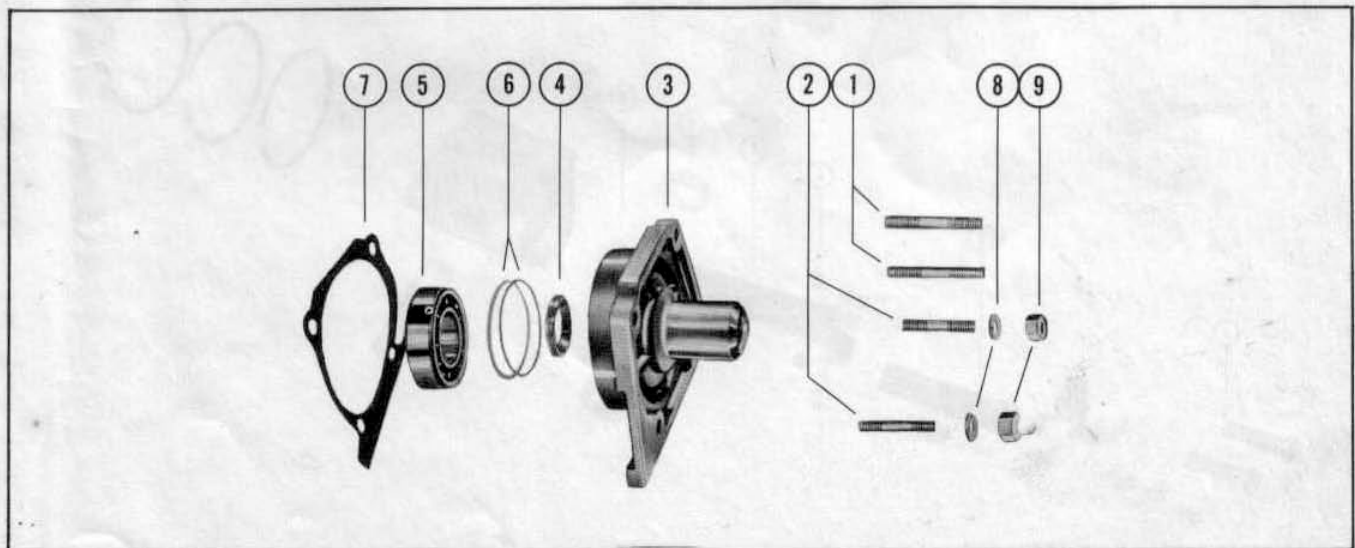
CRANKCASE BOTTOM ASSEMBLY

PART NO.	REF. NO.	DESCRIPTION	MK20H
16-20955	1	Stud, crankcase to drive shaft housing	2
16-20467	2	Stud, crankcase to crankcase bottom	2
1104-71A2	3	Crankcase Bottom Assembly	1
26-20948	4	Oil Seal	1
30-20464	5	Bearing, ball	1
15-20514	6	Shim, stud (.002-3-5-10)	AR
27-20501	7	Gasket, crankcase bottom to crankcase	1
13-26992	8	Lockwasher, crankcase bottom stud	2
11-20088	9	Nut, crankcase bottom stud	2

CRANKCASE ASSEMBLY



CRANKCASE BOTTOM ASSEMBLY



CRANKSHAFT AND CENTER MAIN BEARING ASSEMBLY

PART NO.	REF. NO.	DESCRIPTION	MK20H
401-27	1	Crankshaft	1
501-46A5	2	Center Main Bearing Assembly	1
10-20049	3	Screw, center main bearing clamping	2
17-20050	4	Pin, dowel - reed locating	8
17-20392	5	Pin, dowel - center main bearing	2
21020A1	6	Outer Race Assembly	1
53-21043	7	Ring, snap	1
17-21021	8	Pin, outer race	1
29-20520	9	Bearing, roller - center main bearing	28
34-20888	10	Reed Set, matched (.012)	1
34-20053	11	Stop, reed	4
12-26014	12	Washer, reed fastening screw	4
10-20055	13	Screw, reed fastening	4

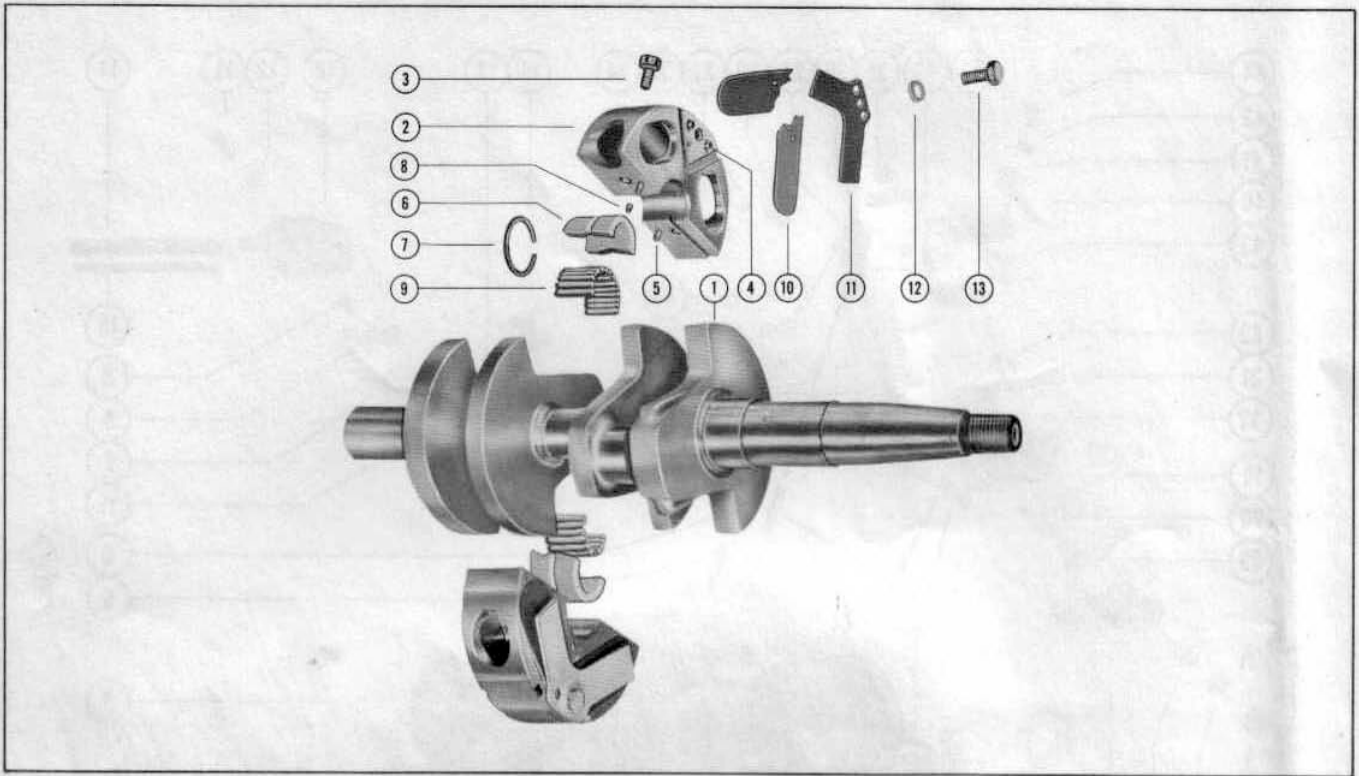
PISTON AND CONNECTING ROD ASSEMBLY

PART NO.	REF. NO.	DESCRIPTION	MK20H
600-7A1	1	Connecting Rod Assembly	2
10-20060	2	Screw, connecting rod	4
29-20046	3	Bearing, needle - crankpin	50
11-20061	4	Nut, connecting rod screw	4
12-20064	5	Washer, needle bearing retaining	4
29-20063	6	Bearing, needle - piston pin	44
700-72A1	7	Piston & Piston Pin Assembly	2
40-20057	8	Ring, lock - piston pin	4
39-20058	9	Ring, piston	6

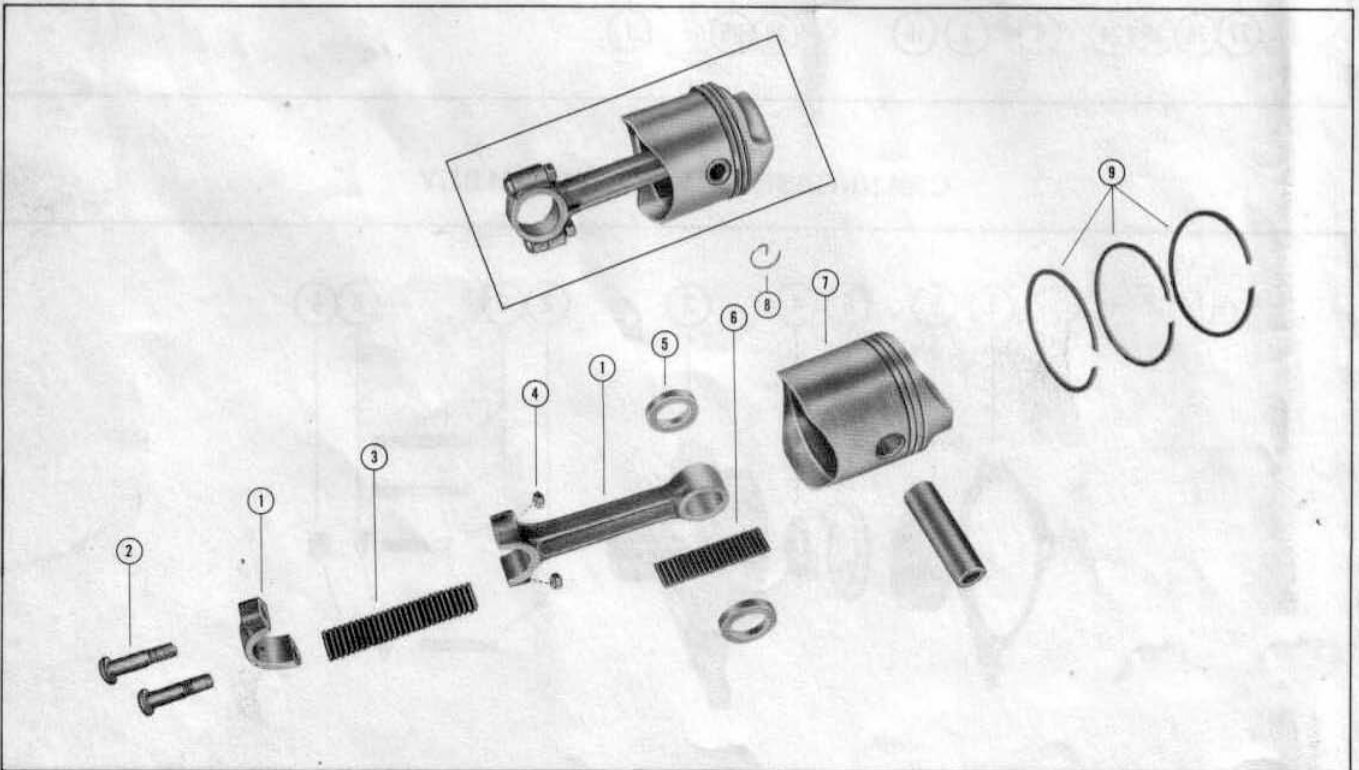
Oversize Pistons and Rings

700-943A1	--	Piston & Piston Pin Assembly (.015 oversize)	2
40-20057	--	Ring, lock - piston pin	4
39-20992	--	Rings, piston (.015 oversize)	6

CRANKSHAFT AND CENTER MAIN BEARING ASSEMBLY



PISTON AND CONNECTING ROD ASSEMBLY



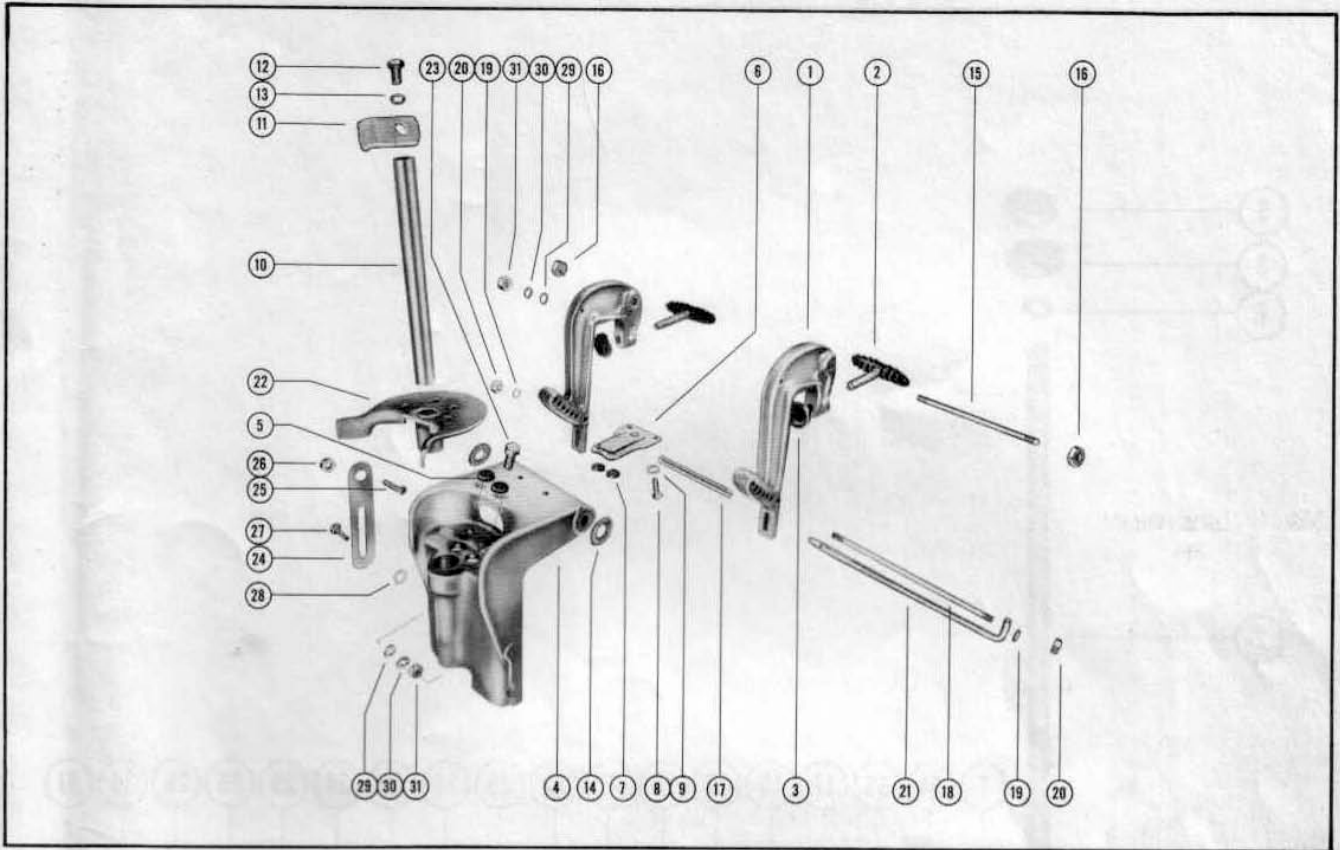
CLAMP AND SWIVEL BRACKET ASSEMBLY

PART NO.	REF. NO.	DESCRIPTION	MK20H
1400-21A1	1	Clamp Bracket Assembly	2
22477	2	Thumb Screw Assembly	2
12-20214	3	Washer, thumb screw	2
1402-134A1	4	Swivel Bracket Assembly	1
20203	5	Disc, friction	2
20701A1	6	Clamp Plate Assembly	1
20203	7	Disc, friction	2
10-21625	8	Screw, clamp plate mounting	2
13-26992	9	Lockwasher, clamp plate mounting screw	2
17-20891	10	Swivel Pin, co-pilot disc	1
54-21727	11	Clip, swivel pin retainer	1
10-28635	12	Screw, retainer clip	1
13-26992	13	Lockwasher, retainer clip screw	1
15-20695	14	Shim, clamp bracket to swivel bracket (.010)	2
16-20694	15	Stud, clamp bracket to swivel bracket	1
11-20696	16	Nut, clamp bracket to swivel bracket stud	2
23-20658	17	Spacer, clamp bracket stud	1
16-20657	18	Stud, clamp bracket	1
13-26993	19	Lockwasher, clamp bracket stud	2
11-20083	20	Nut, clamp bracket stud	2
17-28848A2	21	Tilt Lock Pin Assembly	1
20951	22	Co-Pilot Disc Assembly	1
10-20705	23	Screw, co-pilot adjusting	1
20693	24	Lever, tilt stop	1
10-20217	25	Screw, anchor - tilt stop lever	1
23-20216	26	Spacer, tilt stop lever	1
10-27790	27	Screw, retaining - tilt stop lever	1
13-20846	28	Washer, wave - retaining screw	1
12-20028	29	Washer, tilt stop lever screw	2
13-26992	30	Lockwasher, tilt stop lever screw	2
11-20088	31	Nut, tilt stop lever screw	2
38-20914	--	Serial Plate	1
10-20314	--	Screw, drive - serial plate to swivel bracket	4

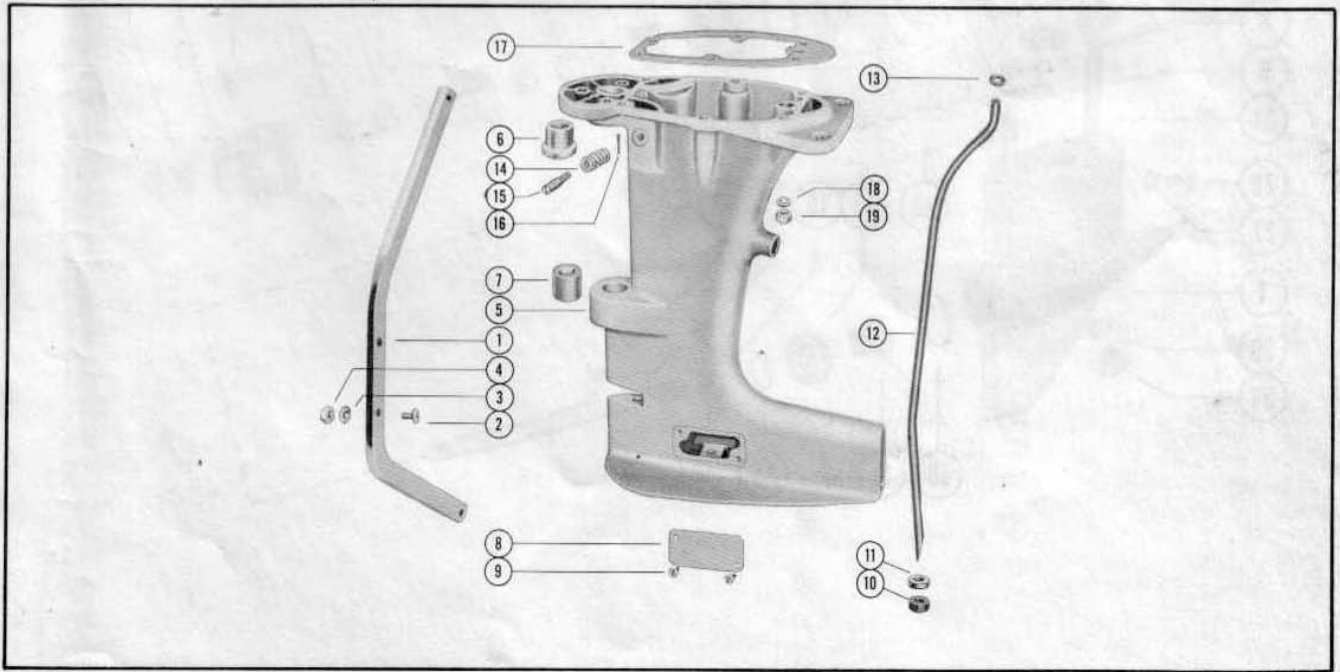
DRIVE SHAFT HOUSING ASSEMBLY

PART NO.	REF. NO.	DESCRIPTION	MK20H
20892A1	1	Steering Bar Assembly	1
10-20639	2	Screw, steering bar to drive shaft housing	2
13-26993	3	Lockwasher, steering bar screw	2
11-20640	4	Nut, steering bar screw	2
1502-85A1	5	Drive Shaft Housing Assembly	1
23-20970	6	Bushing, upper	1
23-20972	7	Bushing, lower	1
20682	8	Cover Plate, drive shaft housing	1
10-20681	9	Screw, cover plate to drive shaft housing	2
12-20684	10	Seal, water tube - lower	1
12-20683	11	Washer, water tube seal - lower	1
32-20686	12	Tube, water inlet	1
25-20633	13	"O" Ring, water inlet tube - upper	1
24-20229	14	Spring, co-pilot to drive shaft housing	2
10-21070	15	Screw, co-pilot spring guide	2
18-21071	16	Cotter Pin, co-pilot spring guide screw	2
27-20642	17	Gasket, drive shaft housing to powerhead	1
12-20028	18	Washer, drive shaft housing to powerhead studs	6
11-20184	19	Nut, drive shaft housing to powerhead studs	6

CLAMP AND SWIVEL BRACKET ASSEMBLY



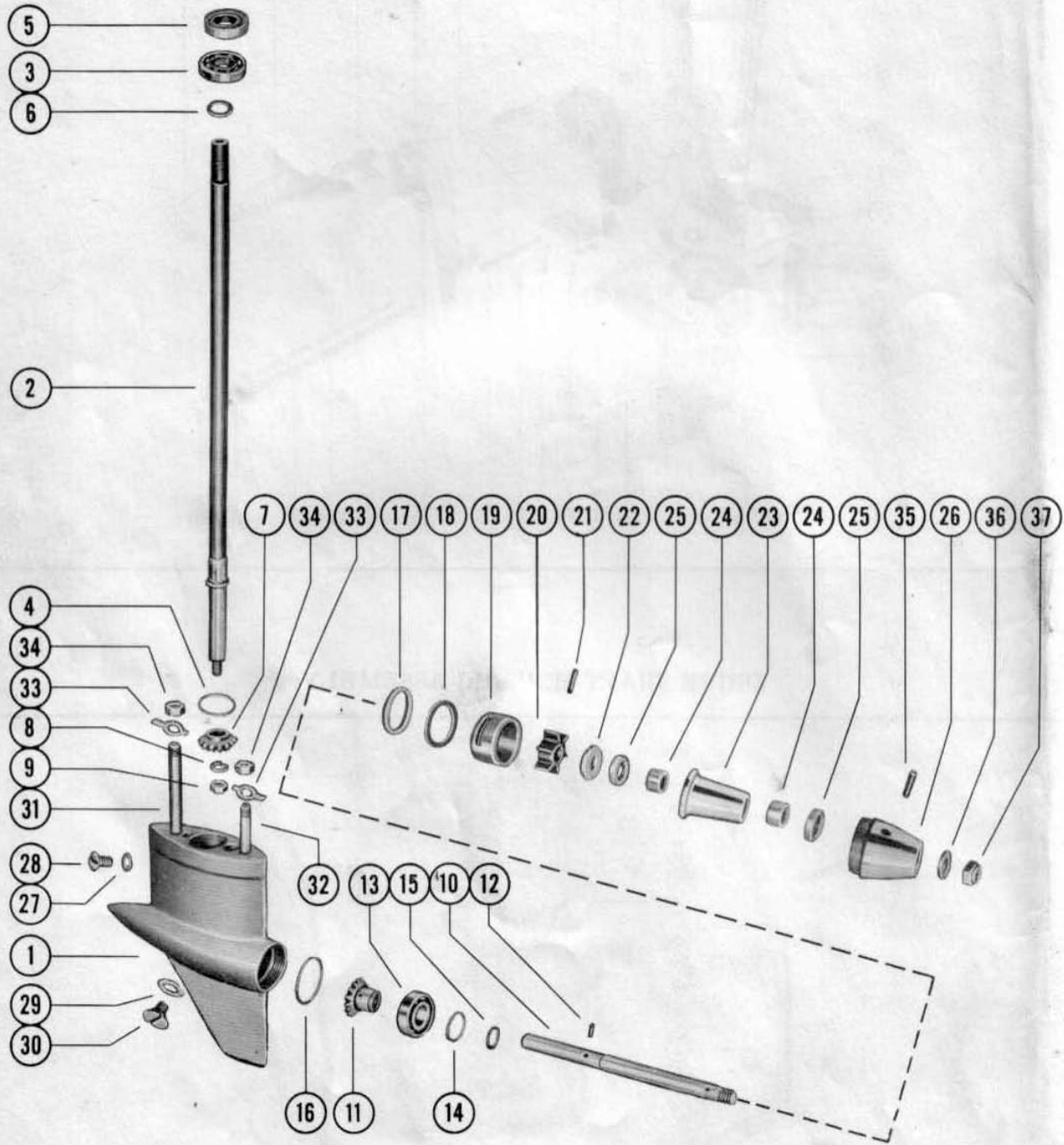
DRIVE SHAFT HOUSING ASSEMBLY



GEAR HOUSING ASSEMBLY

PART NO.	REF. NO.	DESCRIPTION	MK20H
1604-135A2	-	Gear Housing Assembly, Complete	1
1604-1162A2	-	Gear Housing Assembly, Complete (<i>Larger Skeg</i>)	1
1604-135A1	1	Gear Housing Assembly	1
1604-1162A1	1	Gear Housing Assembly (<i>Larger Skeg</i>)	1
31-20904	-	Bearing, roller - propeller shaft	1
31-20908	-	Bearing, roller - drive shaft	1
10-21048	-	Plug, headless	1
45-20909	2	Drive Shaft	1
30-20910	3	Bearing, ball - drive shaft	1
15-20919	4	Shim, ball bearing to gear housing (.002-3-5)	AR
20912A1	5	Pilot and Oil Seal Assembly	1
26-20590	-	Oil Seal	1
15-20911	6	Shim, ball bearing to drive shaft (.003-5-10)	AR
43-25692	7	Gear, pinion	1
13-20921	8	Lockwasher, pinion gear	1
11-20922	9	Nut, pinion gear locking	1
44-20923	10	Shaft, propeller	1
43-25693	11	Gear, propeller	1
17-20937	12	Pin, propeller gear to shaft	1
30-20938	13	Bearing, ball - propeller shaft	1
15-20939	14	Shim, ball bearing to snap ring (.003-5-10)	AR
53-20940	15	Ring, snap	1
15-20941	16	Shim, ball bearing to gear housing (.002-3-5-10)	AR
12-20942	17	Washer, sealing - water pump cartridge	1
25-20812	18	Seal, rubber - water pump cartridge	1
46-20943A1	19	Water Pump Cartridge Assembly	1
26-20903	--	Oil Seal	1
47-20945	20	Impeller, water pump	1
28-20946	21	Key, impeller drive	1
20947	22	Plate, water pump cover	1
46-20905A1	23	Water Pump Cover Assembly	1
31-20904	24	Bearing, roller	2
26-20903	25	Oil Seal, water pump cover	2
20902	26	Cover, gear housing	1
12-20262	27	Washer, gear housing vent screw	1
10-28653	28	Screw, gear housing vent	1
12-20260	29	Washer, grease filler hole screw	1
10-28634	30	Screw, grease filler hole	1
16-20900	31	Stud, gear housing to drive shaft housing (long)	1
16-20901	32	Stud, gear housing to drive shaft housing (short)	1
14-20091	33	Tab Washer, gear housing studs	2
11-20101	34	Nut, gear housing studs	2
17-20957	35	Pin, shear	1
12-20959	36	Washer, propeller nut	1
11-20958	37	Nut, propeller	1

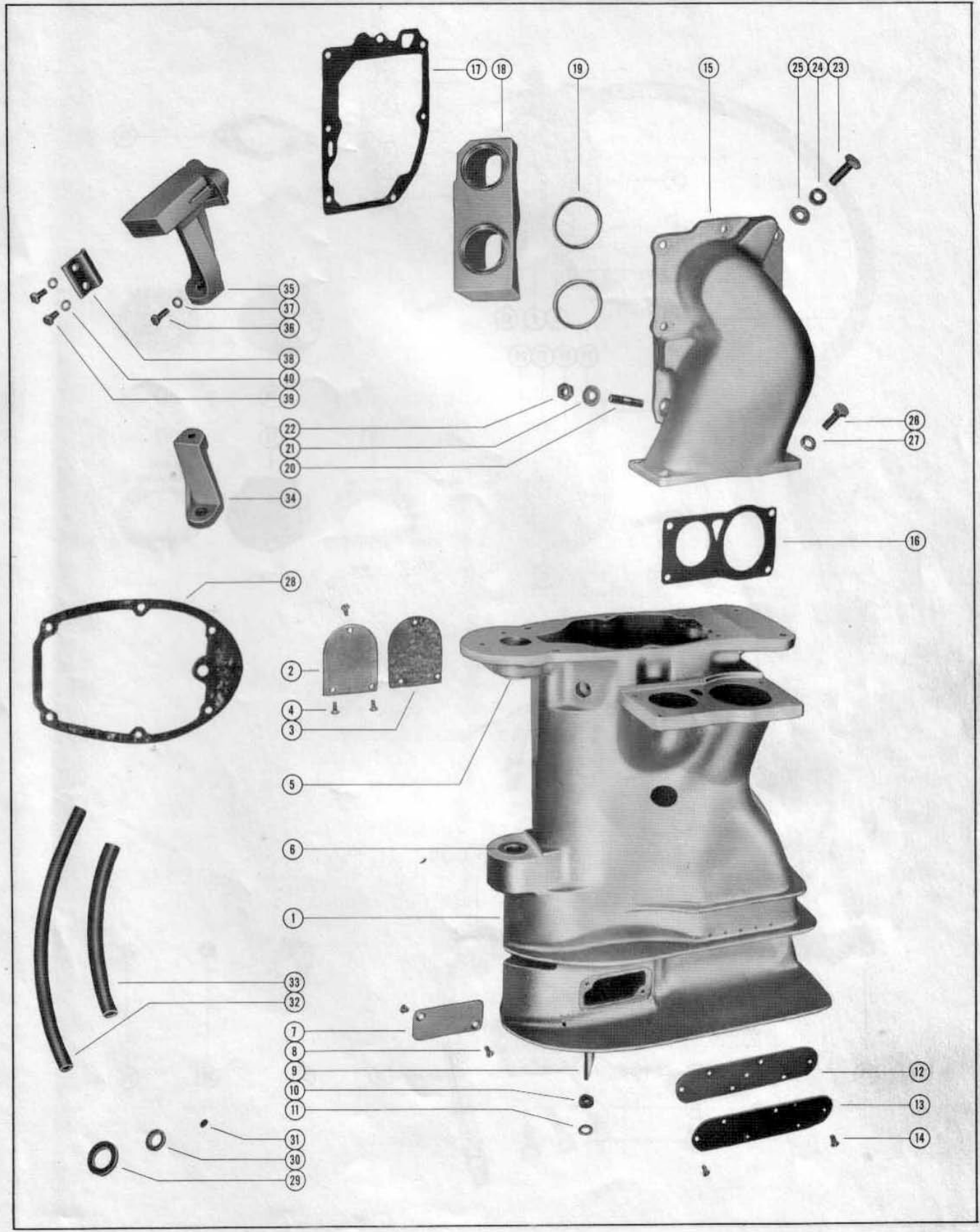
GEAR HOUSING ASSEMBLY



DRIVE SHAFT HOUSING CONVERSION KIT (29499A1)

PART NO.	REF. NO.	DESCRIPTION	MK20H
1537-1634A1	1	Drive Shaft Housing Assembly	1
29501	2	Plate, upper water passage	1
27-29502	3	Gasket, upper water passage plate	1
10-28739	4	Screw, upper plate to drive shaft housing	3
23-29669	5	Bushing, upper	1
23-29670	6	Bushing, lower	1
20682	7	Plate, cover	1
10-20681	8	Screw, cover plate to drive shaft housing	2
32-29500	9	Tube, water inlet	1
25-20633	--	"O" Ring, upper - water inlet tube	1
12-20684	10	Seal, lower - water inlet tube	1
12-20683	11	Washer, lower - water inlet tube	1
29503	12	Plate, lower water passage	1
27-29504	13	Gasket, lower water passage plate	1
10-28739	14	Screw, lower plate to drive shaft housing	6
29543A1	15	Manifold Assembly	1
19-29506	--	Welch Plug, manifold	1
27-29509	16	Gasket, manifold to drive shaft housing	1
27-29508	17	Gasket, manifold to cylinder block	1
29507	18	Block, filler	1
27-29582	19	Gasket, filler block to manifold (copper ring)	2
16-25385	20	Stud, manifold to cylinder block	2
12-20533	21	Washer, manifold mounting studs	2
11-24652	22	Nut, manifold mounting studs	2
10-28636	23	Screw, manifold to cylinder block	5
13-26992	24	Lockwasher, manifold to cylinder block screw	5
12-20533	25	Washer, manifold to cylinder block screw	5
10-28636	26	Screw, manifold to drive shaft housing	4
13-26992	27	Lockwasher, manifold to drive shaft housing screw	4
27-20642	28	Gasket, drive shaft housing to powerhead	1
12-29681	29	Washer (shim), swivel pin	1
13-27969	30	Lockwasher, cowl mounting plate stud	1
29705	31	Lead Shot, cylinder block cover (tell-tale hole)	1
32-29703	32	Fuel Line, connector assembly to pressure cover (12 1/4")	1
32-29704	33	Fuel Line, connector assembly to carburetor (7 3/4")	1
29510	34	Bracket, rear port - starter mounting	1
29511	35	Bracket, front port - starter mounting	1
10-20100	36	Screw, front port bracket mounting	2
13-26996	37	Lockwasher, bracket mounting screw	2
25788	38	Plate, clamping - throttle wire	1
10-24634	39	Screw, clamping plate to bracket	2
13-26996	40	Lockwasher, plate mounting screw	2
27-29830	--	Gasket Set, motor overhaul	1

DRIVE SHAFT HOUSING CONVERSION KIT

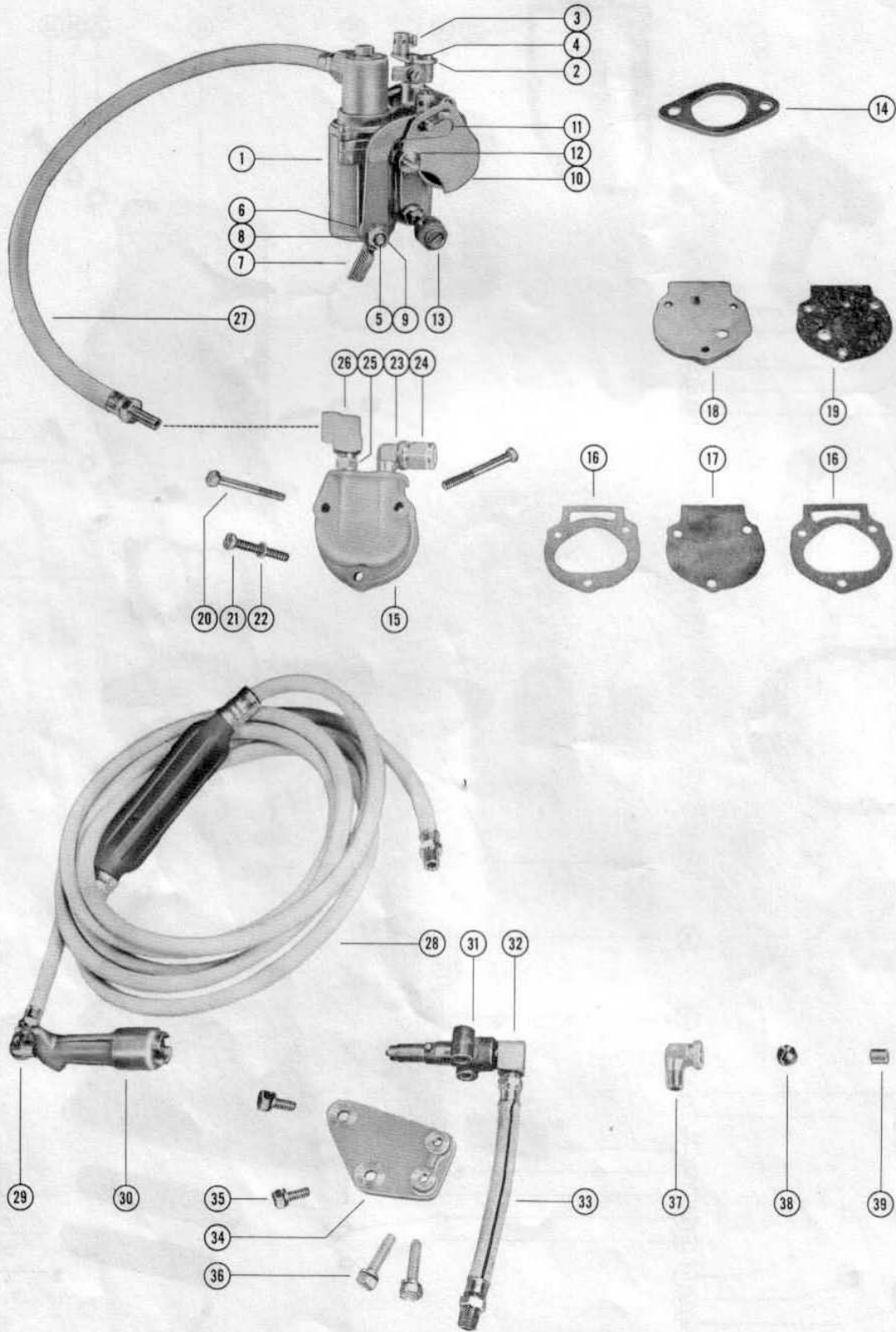


CARBURETOR AND FUEL PUMP CONVERSION KIT (29492A1)

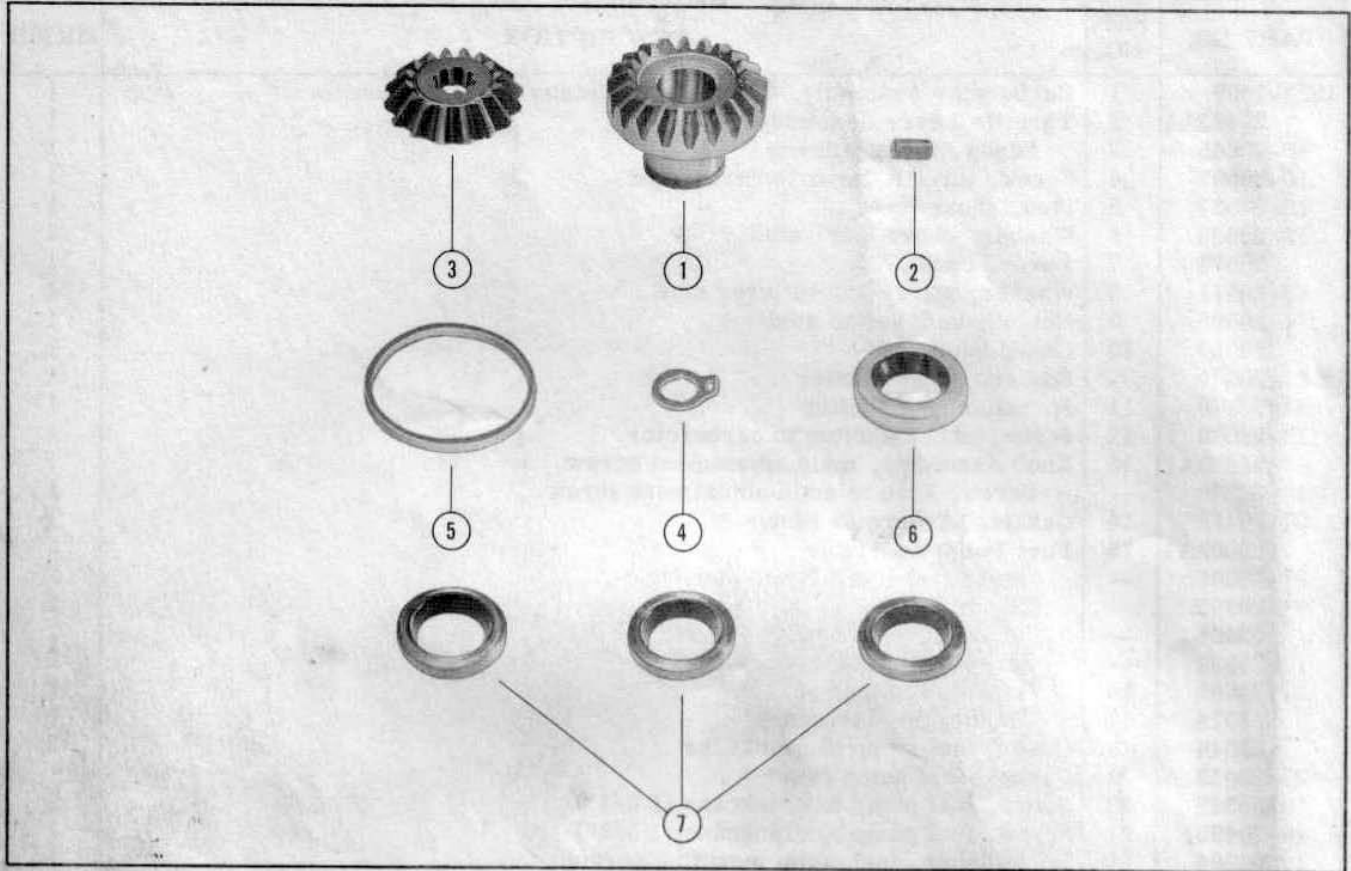
PART NO.	REF. NO.	DESCRIPTION	MK20H
1333-1609	1	Carburetor Assembly, Complete (Tillotson KA7A) <i>(see note below)</i>	1
29493A1	2	Throttle Lever Assembly	1
10-20845	3	Screw, throttle lever	1
10-20597	4	Screw, throttle lever to carburetor	1
16-27037	5	Stud, choke lever	1
12-20533	6	Washer, choke lever stud	1
28075	7	Lever, choke	1
13-20511	8	Washer, wave - choke lever stud	1
11-20586	9	Nut, choke lever to stud	1
28087	10	Choke Shutter	1
23-28039	--	Spacer, choke shutter	1
24-20579	11	Spring, choke shutter	1
10-28018	12	Screw, choke shutter to carburetor	1
24823A1	13	Knob Assembly, main adjustment screw	1
10-22928	--	Screw, knob to main adjustment screw	1
27-20478	14	Gasket, carburetor flange	1
23009A1	15	Fuel Pump Assembly	1
27-23005	--	Gasket, check valve to housing	2
21-20963	--	Check Valve	2
23004	--	Retainer, check valve	1
10-20037	--	Screw, retainer to housing	2
27-24863	16	Gasket, fuel pump	2
23014	17	Diaphragm, fuel pump	1
29044	18	Cover, fuel pump to crankcase	1
27-23013	19	Gasket, fuel pump cover	1
10-25327	20	Screw, fuel pump to crankcase (1 3/4")	2
10-29495	21	Screw, fuel pump to crankcase (1 3/8")	1
13-26996	22	Lockwasher, fuel pump mounting screw	1
22-22995	23	Elbow, fuel pump	1
22-22946	--	Sleeve, rubber	1
11-22948	24	Nut, rubber sleeve	1
22-23595	25	Connector, reducing elbow to fuel pump	1
22-25354	26	Elbow, reducing - fuel line to fuel pump	1
32-23837	27	Fuel Line, fuel pump to carburetor	1
25426A8	28	Fuel Line Assembly, fuel tank	1
22-23125	29	Elbow, check unit to fuel line	1
22831A1	30	Check Unit Assembly	1
22833	31	Adaptor, check unit	1
23069	--	Stem, check unit adaptor	1
25-20415	--	"O" Ring, adaptor stem	1
24-23067	--	Spring, adaptor stem	1
23068	--	Cup Washer, adaptor	1
22-24690	32	Elbow, adaptor to fuel	1
32-29194	33	Fuel Line, check unit adaptor	1
29498	34	Bracket, check unit adaptor	1
10-29197	35	Screw, adaptor bracket to drive shaft housing	2
10-28714	36	Screw, check unit adaptor to bracket	2
22-23125	37	Elbow, fuel tank - fuel outlet hole	1
22-21290	38	Pipe Plug, fuel tank - air inlet hole	1
23-25197	39	Spacer, pressure relief rod - fuel tank	1

NOTE: When ordering component parts for 1333-1609 Carburetor Assembly, refer to Page 8 of your Mark 30H and Mark 55H Parts List.

CARBURETOR AND FUEL PUMP CONVERSION KIT



GEAR CONVERSION KIT (29513A1)



PART NO.	REF. NO.	DESCRIPTION	MK20H
43-29491	1	Gear, propeller	1
17-20937	2	Pin, propeller gear to shaft	1
43-29490	3	Gear, pinion	1
13-20921	4	Tab Washer, locking - pinion gear nut	1
25-20812	5	Seal, rubber - water pump cartridge	1
26-20590	6	Oil Seal, drive shaft pilot	1
26-20903	7	Oil Seal, water pump cartridge and cover	3